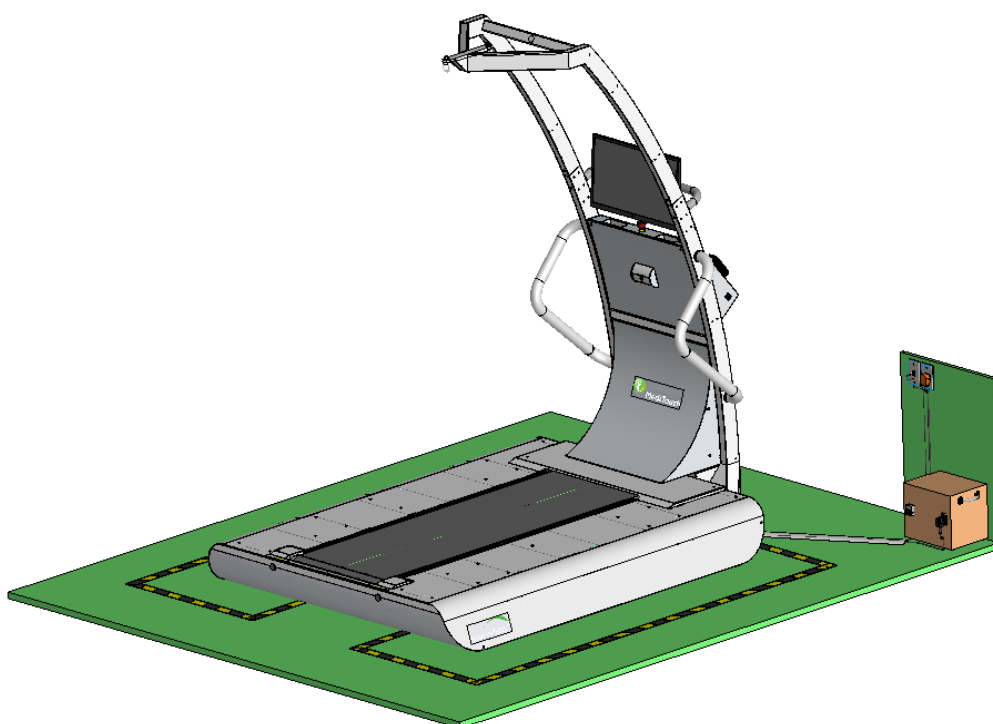


BalanceTutor™

Technical Specification

February 2021



BalanceTutor a dynamic and static postural control trainer

This technical specification covers all critical components and physical elements for the following MediTouch product:

BalanceTutor BT100

The BalanceTutor dynamic and static postural control trainer tested to IEC medical standards for electrical safety. It is a Class I, Type BF device.

Type BF Medical Equipment



IEC 60601-1-1 compliant

IEC 60601-1-2 compliant

IPX-0

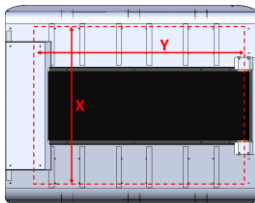
Date	Change description	Written by	Ver.
01 Jan 2014	Initial version	Ziv K.	140101
13 Mar 2016	US ratings clarifications	Ziv K.	160313
23 Jun 2016	Voltage supply modification, OS change from Win7Pro to Win7Emb (WS7E), Transformer change from 2→2.3 kVA, Nameplate label, Lanyard addition, Wireless Interfaces, and other minor updates.	Ziv K.	160623
13 Sep 2016	Adding sensors sample rates, Change Bluetooth type from 2.0 to 4.0.	Ziv K.	160913
25 Oct 2016	Update Storage Temperature parameter, Adding SPL measure.	Ziv K.	161025
19 Jan 2017	Adding: Power consumption, warnings remarks	Ziv K.	170119
28 Jun 2017	Adding: Wireless sensors Service Time	Ziv K.	170628
06 Sep 2017	Updating product and shipping box weight	Ziv K.	170906
22 May 2018	Updating 3 Phase ratings	Ziv K.	180522
02 Oct 2018	Value conversion corrections (km/h to m/s), in treadmill perturbation parameter section. Update distance of Safety Stop Switch.	Ziv K.	181002
30 Dec 2018	Changes: Power Ratings, Computer OS, Product Label, Warnings modifications.	Ziv K.	181230
21 Jan 2020	Changes: effective running belt length from 140 to 156cm, images update, crate size.	Ziv K.	200121
03 Feb 2021	Adding Camera, Remote control, Harnesses. Upgrading: BoxPC to ARK1551, Win10 IOT 2019, Changing: Patient screen and holder	Ziv K.	210203

E&EO



PARAMETER	DESCRIPTION
Product name	BalanceTutor
Product model	BT100
Order P/N	HMBT100A
Applications	Rehabilitation, fall prevention, sports medicine and cardiology. User touch screen display terminal for data input, setting parameters, data recordings and analysis.
Overall dimensions	L: 233 cm (91.73") W: 161 cm (63.38") H: 245 cm (96.45")
Effective running belt surface	<ul style="list-style-type: none"> ▪ L: 156 cm (61.5") W: 56 cm (22") ▪ Shock load reduction for the joints ▪ Belt surface with anti-slip material ▪ Max. Permissible load: 150 kg (330 lbs.)
Device weight	485 kg (1070 lbs.) ±1%
Gross weight	665 kg (1466 lbs.) ±2%
Shipping box size	L: 2.11 m (6.9') W: 1.66 m (5.4') H: 1.07 m (3.5') Volume: 3.74 m ³ (132')
Treadmill Speed	0...±7.0 km/h (0... ±2 m/s)
Treadmill perturbation kinematics	<p>Treadmill Speed: 3...194 cm/s</p> <p>Acceleration: 10...625 cm/s²</p> <p>Deceleration: 10...625 cm/s²</p> <p>Forward Distance: 3...87 cm</p> <p>Backward Distance: 1...146 cm</p>
Lateral perturbation kinematics	<p>Speed: 5...60 cm/s</p> <p>Acceleration: 25...200 cm/s²</p> <p>Deceleration: 25...200 cm/s²</p> <p>Distance: ±18 cm</p>
Perturbation intensity	30 levels combining Acceleration, Deceleration, Distance, and target speed.
Walking direction	<ul style="list-style-type: none"> ▪ Forward and Backward ▪ In case of walking direction change, remove buckles from upper bridge hooks, place the person on the opposite side and fasten again the buckles to the same bridge hooks.
Power consumption	Min: 280W Max: 2300W
Voltage supply	1 Phase 200V-240V AC L/N/PE 50/60Hz 16A circuit breaker, dedicated line. 3 Phase 200V-240V AC L1/L2/PE 50/60Hz 2x15A circuit breaker, dedicated line.
Electrical outlet	Worldwide According local standards USA 6-20R NEMA
Motor system	Treadmill: Servo motor, 1.7kW, 3kRPM, 5.9Nm

Perturbation: Servo motor, 0.6kW, 3kRPM, 2.1Nm

Power transmission	Treadmill:	Gearbox ratio 5:1				
	Perturbation:	Gearbox ratio 5:1				
Motor drivers	Treadmill:	Servo digital drive, CPR 1610W, CC 6.5A, PC 13.0A				
	Perturbation:	Servo digital drive, CPR 1140W, CC 4.0A, PC 8.0A				
Electrical safety	External isolated transformer: Up to 230v/230v 50/60Hz 2.3kVA Under IEC-60601-1, B-3 UL Recognized, CE.					
Leakage current	< 0.2mA					
Safety power off switch	Emergency-off-switch (mains off), switch for immediate disconnection of motor and motor controllers power supply.					
Safety stop switch	Stops lateral perturbation if ranges exceed from maximum of ± 21.75 cm					
Force sensors	Type:	Aluminum-Alloy IP65 single point load cell. X4 units				
	Sensitivity:	2.0 \pm 0.2 mV/V				
	Force range:	0...250 kg				
	Location range:	X: -65...+65 cm, Y: -80...+80 cm X: -25"...+25", Y: -31"...+31"				
						
Motion feedback sensors	<u>Device name</u>	<u>Model</u>	<u>Body part</u>	<u>Connection</u>	<u>Technology</u>	<u>Remark</u>
	IMU	3DT100	Leg (R+L)	Bluetooth	6DOF (Acc & Gyro)	Optional add-on sensors
	Heart Rate Sensor	Rhythm+	Arm	Ant+	PerformTek™	Supplied 1Sensor + 1Strap
Sensors parameters			<u>COP</u>		<u>IMU</u>	<u>Heart Rate</u>
	CPU Analysis	[Sample/Sec]	125		125	1
	Write to Log	[Sample/Sec]	100		100	N/A
	Service Time	[Hours]	N/A		4	6
	Charging current [mA]		N/A		< 500	< 100
	Operational Indications		Net & Total Load in [Kg]		Connection, Battery level	Connection, BPS
Interface	<ul style="list-style-type: none"> System power On/Off switch via external isolation transformer with green indication LED PC power On/Off switch with blue indication LED Ethernet connection port: RJ45 10/100/1000 Wireless connection1: Bluetooth 4.0 Wireless connection2: Bluetooth Ant+ Wi-Fi connection Remote perturbation controller 					
Operator display	Type:	Touch screen Projected Capacity technology				
	Characteristics:	Active matrix TFT LCD, 18.5", 16:9, 1366x768, 5ms, 1000:1				
User display	24" 16x9 LED display, Stereo built-in speakers, Functional for visual output only.					
Internal computer	Type:	BoxPC				
	Characteristics:	Fanless, Intel Core i5 8th Gen 1.6GHz, 2.5" 128GB SSD Drive, 4G DDR4-2400MHz, Gigabit Ethernet, Intel UHD Graphics 620, Win10 IoT Enterprise 2019 LTSC, DC 12V power input.				
Software	<ul style="list-style-type: none"> Touch user interface oriented Perturbation triggered treatments Perturbation intensity scale 1-30 Treatment protocol builder COP (Center of Pressure) treatments Treatment row data record and export (to csv format) Patient/Therapist feedback and status data: Treatment parameters, heartrate, gait phase, Load 					

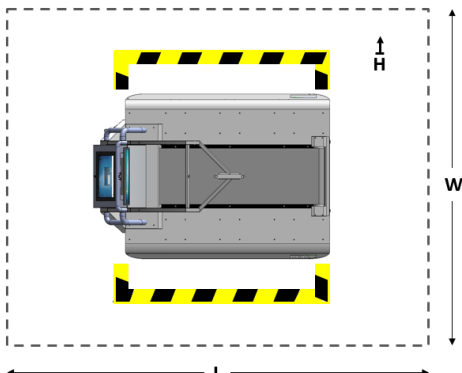
- Self-projection feedback via real time camera
- Gait Analysis module (add-on feature)

Safety harness belt	<ul style="list-style-type: none"> ▪ 3 supplied sizes: S/M, L/XL and XXL ▪ Tough nylon webbing and forged hardware means long-term wear ▪ Fall protection support lanyard with height adjustment
Sound Pressure Level (SPL)	78dB Test condition: A maximum measured value sampled at 1m Euclidian distance around the device.
Ambient condition	Usage temperature: +10...+40°C Storage temperature: -20...+50°C Relative humidity: 30...70 % (non-condensing!) Atmospheric pressure: 700...1060 hPa

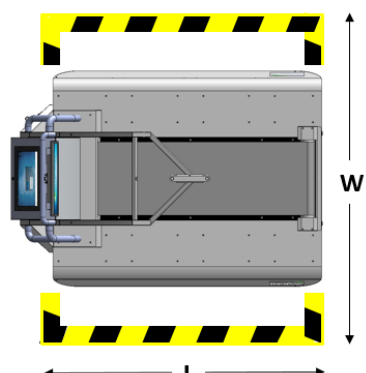
User dimensions	Maximal weight: 135kg (297 lbs.)
	Height range: 120cm (47") ... 190cm (75")

Facilitation

Minimal room dimensions
 L: 335cm (132") W: 300cm (120") H: 250cm (99")
 Device centered at middle of the room.



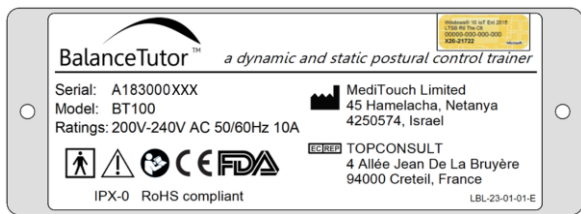
Keep out zone
 L: 235cm (93") W: 210cm (83")
 To avoid collision at perturbation mode.



Floor
 Any floor type, avoid carpet.

Warnings	<ul style="list-style-type: none"> ▪ No children under the age of six allowed to operate the device or treated without certified personnel. ▪ It is mandatory to fasten the user with harness to prevent injury cause by a fall. ▪ The exercise, constantly be supervised by a physiotherapist or a medical doctor in the field of orthopedics and/or neurology. ▪ Patient not allowed to use the BalanceTutor with an open shoes such as sandals. We strongly recommend running shoes. ▪ Cables and cuffs not allowed for the patients' hands. ▪ Disregard of warnings and/or the use of the BalanceTutor without a fall protection system is strictly. Prohibited and may lead to accidents and injuries with fatal consequences.
-----------------	---

Product Label



BalanceTutor™ a dynamic and static postural control trainer

Serial: A183000XXX
 Model: BT100
 Ratings: 200V-240V AC 50/60Hz 10A

MediTouch Limited
 45 Hamelacha, Netanya
 4250574, Israel

TOPCONSULT
 4 Allée Jean De La Bruyère
 94000 Creteil, France

IPX-0 RoHS compliant

Safety	Directive 93/42/EEC; EN 60601-1; EN 60601-1-1; EN 60601-1-2 (EMC approved); ISO 9001; EN ISO 13485; Emergency-off-switch (mains off), transformer for potential-isolation from the mains under IEC-601-60601-1, B-3 UL Recognized. GMDN® Code 33015
Safety class / category	I / B
Classification	Class I Medical device (MDD)

Manufacturer	Name: MediTouch Ltd.
	Tel: +972 9 8637477 Fax: +972 9 8852935
	Address: 45 Hamelacha, Poleg industrial zone, Netanya 4250574, Israel. PO Box: 8306