



ArmTutor™

ArmTutor Rehabilitation Device

Device user guide Model: AT100





ArmTutor™

ArmTutor Rehabilitation Device

Device user guide Model: AT100

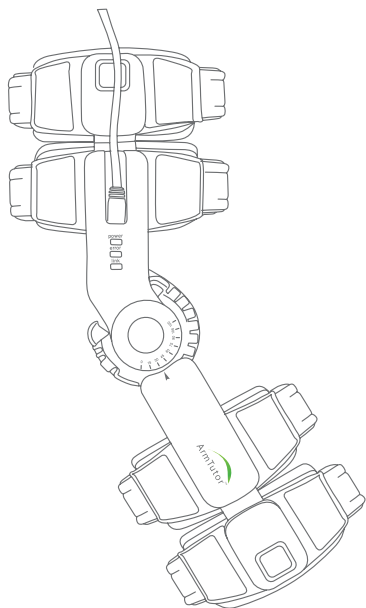


Table of Contents

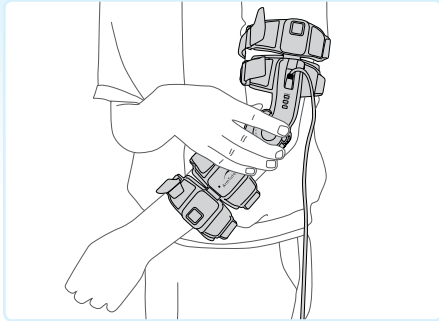
1.	Getting Started	4
2.	Warnings	5
3.	Maintenance	5
4.	Indications	5
5.	Contra-Indications	5
6.	Side Effects	6
7.	Product Specification	6
7.1	Product Labels	6
7.2	Dimensions	6
7.3	Sensor.....	6
7.4	Functionality.....	6
7.5	Communication	6
7.6	Power Supply.....	6
7.7	Environmental conditions	7
7.8	Regulation	7
7.9	Manufacturer	7
7.10	Illustration	7
8.	Package	8
8.1	Content	8
8.2	Outside package	8
9.	Labeling	8
9.1	On USB cable	8
9.2	On case	9
9.3	On carton	9
10.	Warranty	10
11.	Contact Us	10



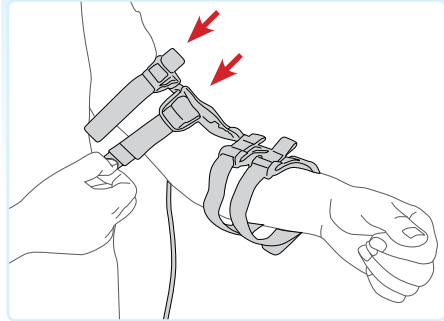
1. Getting Started

1. Choose the appropriate side of the ArmTutor™ for the subject.
2. Connect the USB cable from the ArmTutor™ to the computer USB port.
3. Click on the MediTutor™ icon in order to enter the software.
4. Use the username **admin** and password **admin**.
5. Make sure that the device display icon appears in yellow.
6. Flex and extend the ArmTutor™ so the device display icon turns to green.
7. Device Fitting:

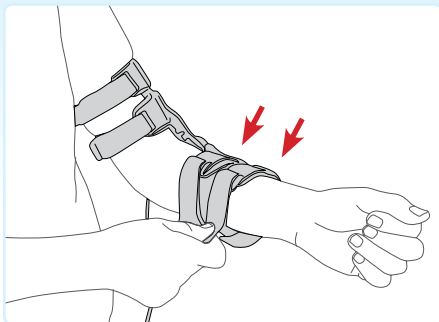
Step 1 - Place device on lateral side of arm so that middle of hinge aligned to middle of elbow



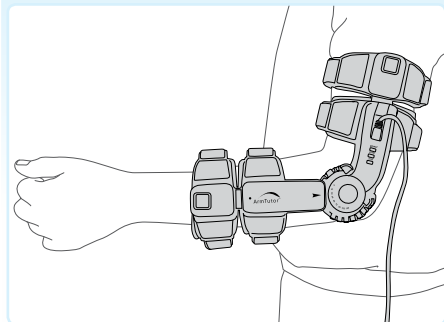
Step 2 - Close straps around upper arm



Step 3 - Close straps around forearm



Step 4 - Verify full extension of elbow equates to zero degree on dial



8. The device is ready for evaluation/treatment use.
9. For detailed treatment instructions consult trained therapist or your vendor.

2. Warnings

1. The ArmTutor™ is not water resistant device.
2. The ArmTutor™ should be stored within the temperature range -30°C to +70°C.
3. It is advised to store the ArmTutor™ in its original packaging when not in use.
4. The USB cable should be folded in a circular fashion to ensure that the cable is not damaged.
5. The device contains a compass that measures the earth's magnetic field. Do not use the device within direct proximity to metals e.g. Iron, that interfere with the measurement of the earth's magnetic field.

3. Maintenance

1. Replace once a month straps and pads in case of frequent usage of the device.
2. In case of plastic break, use instructions and items supplied by the manufacturer only.

4. Indications

The ArmTutor™ solution is intended for use during rehabilitation of the elbow/ shoulder in the following indications and in accordance with the Doctors instructions.

1. Damage to the CNS and or PNS caused by Stroke, Parkinson's disease, MS, head injuries, cerebral palsy, brachial plexus injuries, forearm and hand nerve injuries and neuromuscular disuse atrophy.
2. Orthopedic rehabilitation including fracture of the bones of the arm and shoulder, tendon transfer and neuromuscular disuse atrophy.
3. Movement disorders characterized by impairment in accuracy and speed of motor movements.
4. Balance disturbances.

5. Contra-Indications

Do not use the ArmTutor™ without consulting a doctor in the following scenarios:

1. Open wounds in the treatment area.
2. General Systemic Infection e.g. MRSA.
3. Local infection of skin of the arm.
4. Inflammatory or Allergic reaction to the ArmTutor™ textile (very rare).
5. It is recommended to wash the body part and wipe down the straps with a sterile wipe before putting on the ArmTutor™.



6. Side Effects

Use of the ArmTutor™ system does not lead to any unwanted side effects. In the very unlikely event of skin irritations stop treatment and consult with your doctor.

7. Product Specification

7.1 Product Labels

- Product name: ArmTutor™
- Model: AT100

7.2 Dimensions

- Size (length/width/height): 350[mm] x 140[mm] x 60[mm]
- Weight: 400[gr]

7.3 Sensor

- Shoulder measurements: Abd/Add, Ext/Flex, Int/Ext rotation - Full range [degree]
- Elbow measurement: Ext/Flex 0-120[degree]

7.4 Functionality

- Size: All sizes adjusted by two telescopic supports
- Side: Left and Right
- Dynamic range limiter: Ext and/or Flex of elbow
- Body attachment method: Velcro straps
- Infection control: Disposable sponge pads

7.5 Communication

- Communication: USB1.1
- Driver: Windows embedded HID driver

7.6 Power Supply

- Voltage: 5[V] DC
- Rated current input: 100[mA]

7.7 Environmental conditions

- Usage temperature: +15°C to +30°C
- Storage temperature: -30°C to +70°C
- Relative humidity: 10% – 95%
- Atmospheric pressure: 500[hPa] – 1060[hPa]

7.8 Regulation

- The ArmTutor™ has been tested according to standard IEC 60601-1 (1988) Second Edition + Am.1 + Am.2 and IEC 60601-1-2 (2001)
- CE and FDA approved

7.9 Manufacturer

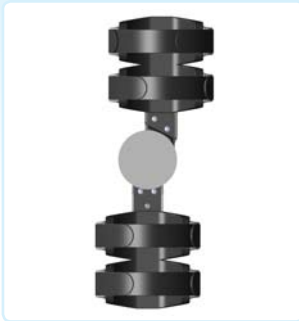
- Company name: MediTouch Ltd.
- Address: 45 Hamelacha, Poleg industrial zone, Netanya, Israel

7.10 Illustration

Outer side view



Inner side view



Isometric view



8. Package

8.1 Content

- Aluminum case
- ArmTutor™ – Left or Right
- MiniUSB 2m
- 2 pairs of body attached straps
- 2 silica bags



8.2 Outside package

- L/W/H: 42 [cm]x24.5[cm]x14.5[cm]
- Weight: 2[kg]



9. Labeling

9.1 On USB cable

- Device S/N

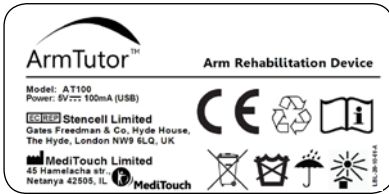


- Device P/N and regulation



9.2 On case

- Regulation label



- Side label (Available products: ArmTutor™ left or right side)

LEFT ARM

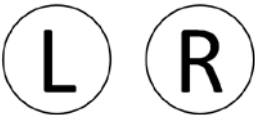
RIGHT ARM

9.3 On carton

- Device S/N



- Device orientation (Available products: ArmTutor™ light or left side)



10. Warranty

1. The device is subject to 12 month warranty on: electronic components, manufacturing defects, any manufacturing and packaging damage.
2. The warranty does not extend to: Fabric, plastic, USB cable damage caused by miss or over use.

11. Contact Us

For Technical and clinical support call to your vendor or contact MediTouch office;



(972) 9 8637477



www.meditouch.co.il



(972) 9 8852935



info@meditouch.co.il



support.meditouch





MediTouch

Phone: (972) 9 8637477

Fax: (972) 9 8852935

Email: info@meditouch.co.il

Skype: [support.meditouch](https://www.skype.com/people/support.meditouch)

Web: www.meditouch.co.il